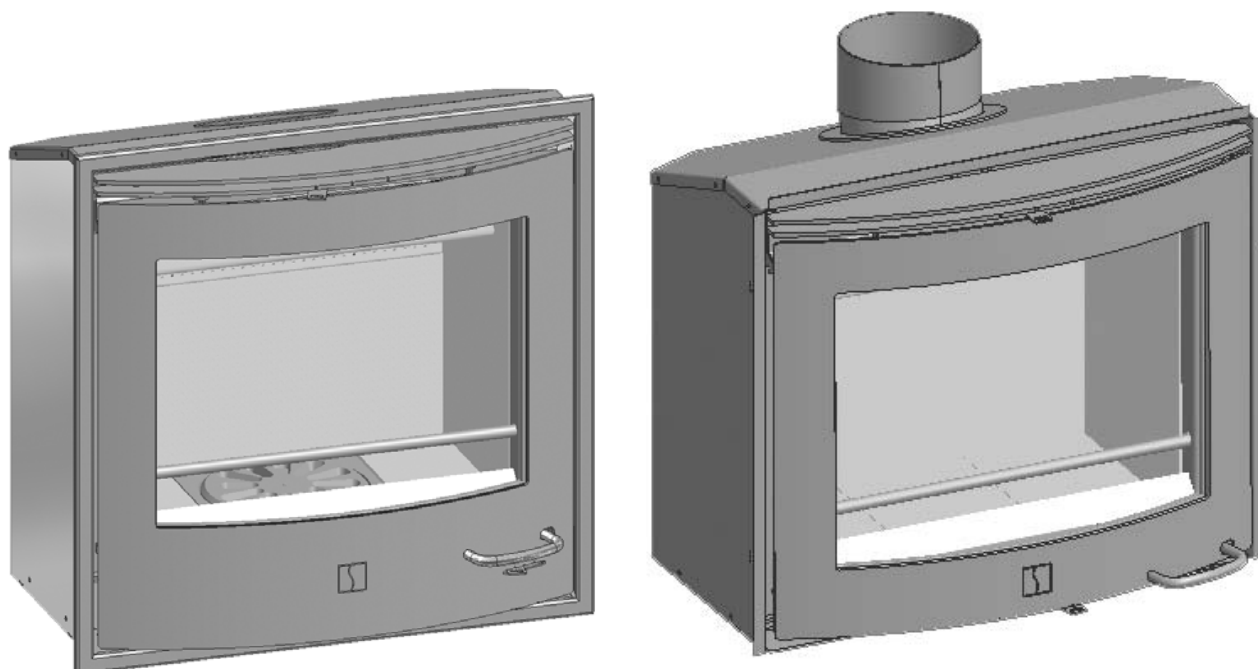


INSTRUCTIONS FOR INSTALLATION AND USE

SCAN DSA 3 & DSA 4



Approved according to DIN 18895 C1



This manual is accompanied by a pamphlet with General Instructions for Installation.



Edition 09.05 - GB

Congratulations on your new SCAN insert!

You have chosen a product from one of Europe's leading manufacturers of wood-burning stoves. We are convinced that your insert will be to your full satisfaction and give you many hours of pleasure if you follow the advice and instructions of this manual.

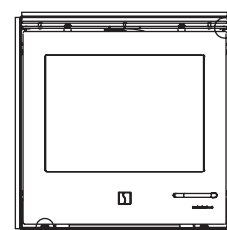
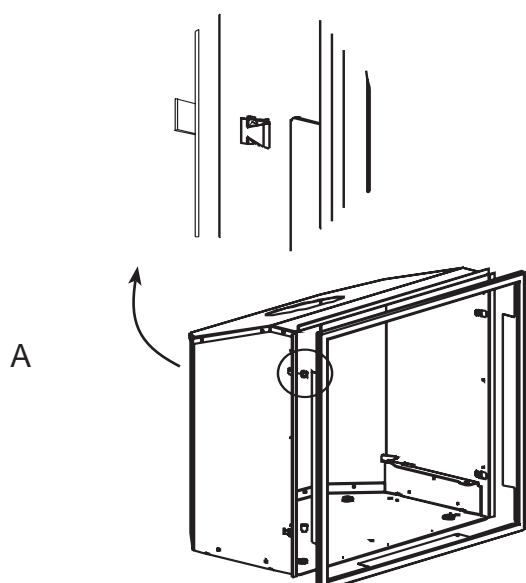
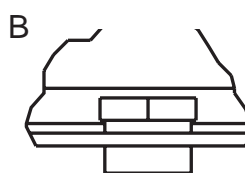
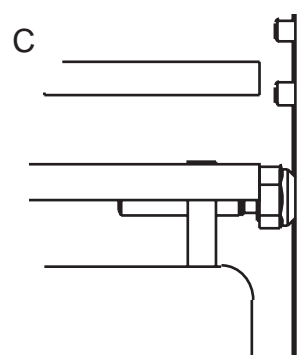
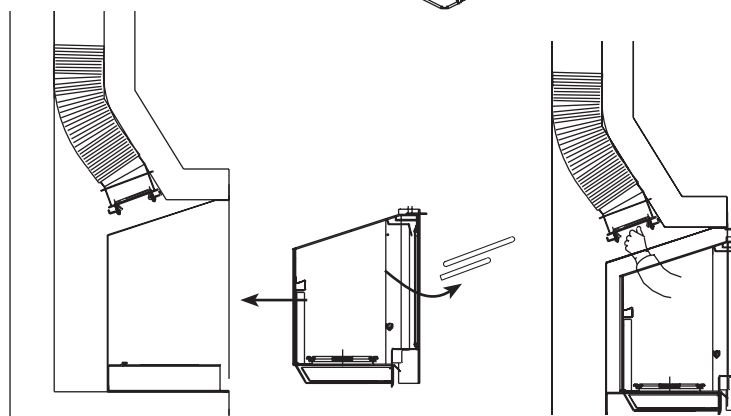
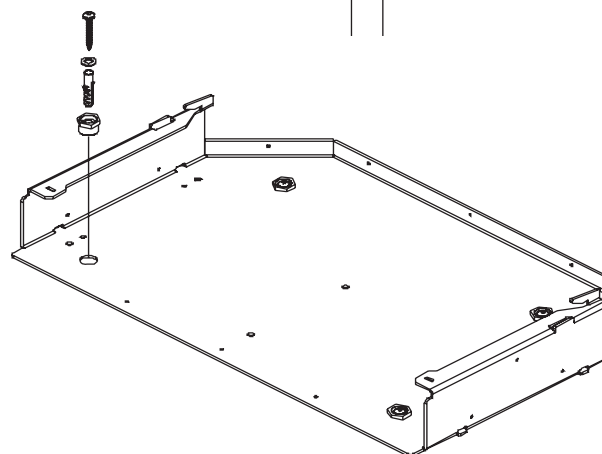
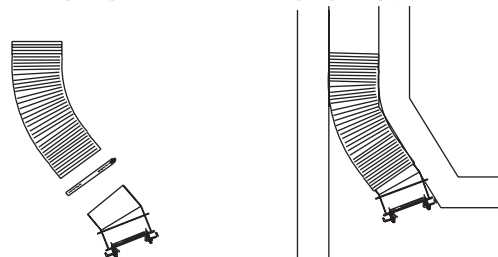
Please read this manual as well as the **General Instructions for Installation** before beginning the installation.

Mounting of the insert in an open fireplace

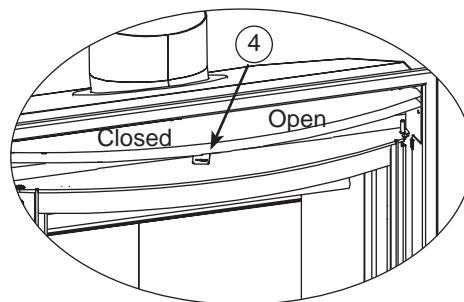
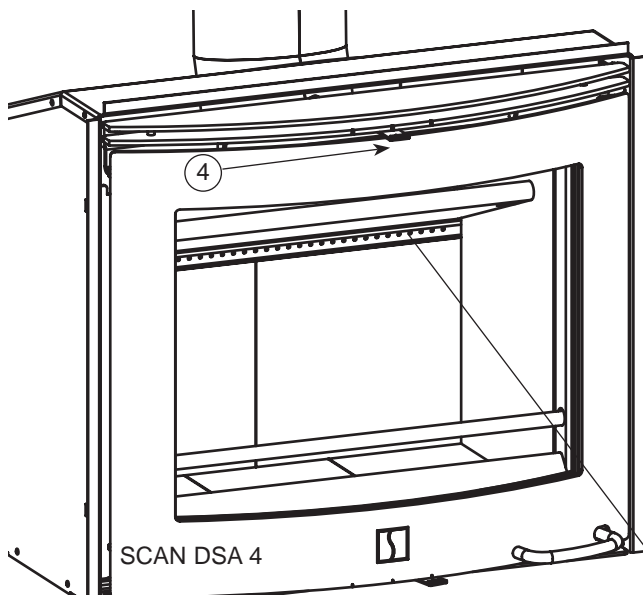
Before beginning the mounting, it is important that you check the density of your chimney. The area of the chimney must be min. 175 cm², which corresponds to a diameter of approx. 150 mm.

Follow the pictures point per point (start on top of column 2) when mounting your insert. If you have any questions or uncertainties, your authorised dealer will be able to assist you with the mounting.

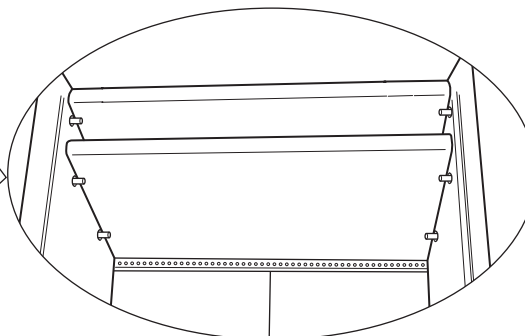
- Remove the damper in the existing fireplace/chimney. Clean the fireplace thoroughly of any soot residues.
- Fasten the connection piece on a flexible tube in a suitable length (if you use a smoke pipe instead of a flexible tube, a special connection piece is available).
- Fasten the flexible tube/smoke pipe in the chimney and seal around it.
- Place the loose convection mantle of the insert on the bottom of the fireplace (in the centre). The bottom must be level. Adjust the convection mantle with the four adjustment bolts and fasten it to the bottom of the fireplace.
- Push the insert into the mantle and adjust according to sketch B.
- Take out the ceramic smoke deflector plates (see next page).
- Pull down the connection piece and place it in the flue outlet of the insert. Fasten it with the fittings and remount the ceramic smoke deflectors.
- Mount the trim (see sketch A).
- If necessary, the insert can be adjusted on the sides and on the bottom. See sketches B and C.



Krog Iversen & Co. A/S abdicate responsibility for the installation



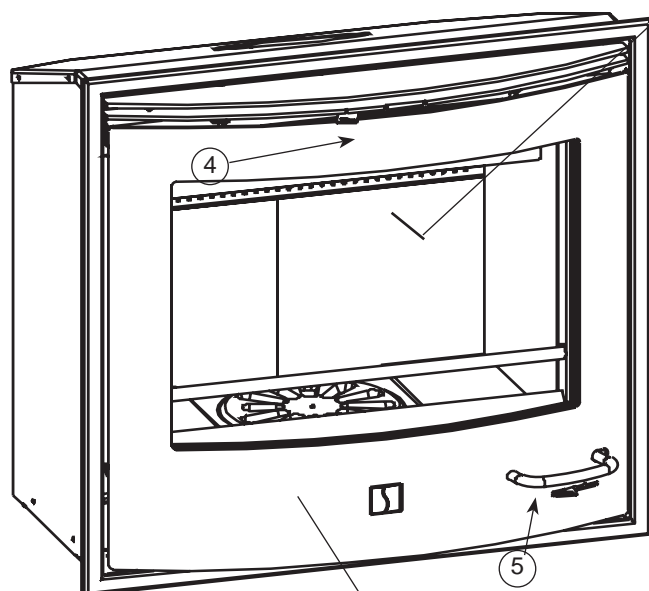
Combustion air



Ceramic smoke deflectors

Ceramic smoke deflectors

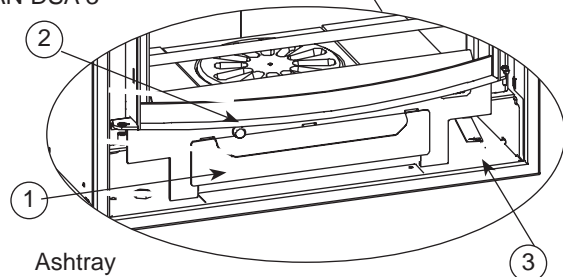
Lift up the lower ceramic smoke deflector, pull out the pins in the lateral combustion chamber plates, and remove the deflector. The upper deflector is removed in the same way.



Clean combustion

The SCAN DSA insert uses the "CB technique" (Clean-Burn) to ensure an optimally clean combustion. The extra combustion air is preheated and led into the combustion chamber close to the ceramic smoke deflector.

SCAN DSA 3



Ashtray

Adjustment of the air

	Wood / briquettes	Fuel kg/h (beechwood max. 20% humidity)
SCAN DSA 3/4		2,1 kg
Combustion air %	60	
Primary air %	0	

- ① **Ashtray.** When you open door, you have access to the ashtray, which is placed below the combustion chamber (SCAN DSA 3). *Attention! Be careful when you empty ashes from the stove. There may be embers left for up to 24 hours after the stove was last used.*
- ② **Handle for shaking grate.** SCAN DSA 3 is equipped with a shaking grate. When you activate the grate handle, the ashes from the combustion chamber are emptied into the ashtray.
- ③ **Regulation for primary air.** Push the button sideways. Left position is closed and right position is open. The primary air is used when lighting and refuelling the stove. It should always be closed during continuous firing.
- ④ **Regulation for combustion air.** Push the button sideways. Left position is closed and right position is open. The air is used for the combustion and regulates the output of the stove.
- ⑤ **Handle.** Pull the handle to open.

The ashtray, shaking grate, and primary air should always be closed during continuous firing.

SCAN DSA 3 & 4

Warranty conditions

All SCAN wood-burning stoves and inserts are made of first-class material and are subject to a strict quality control before they leave the factory. However, if an error should occur, we back all SCAN wood-burning stoves and inserts with an extensive, five-year limited warranty.

See also the **General Instructions for Installation** delivered with your insert for more details.

64.4.800

Production number

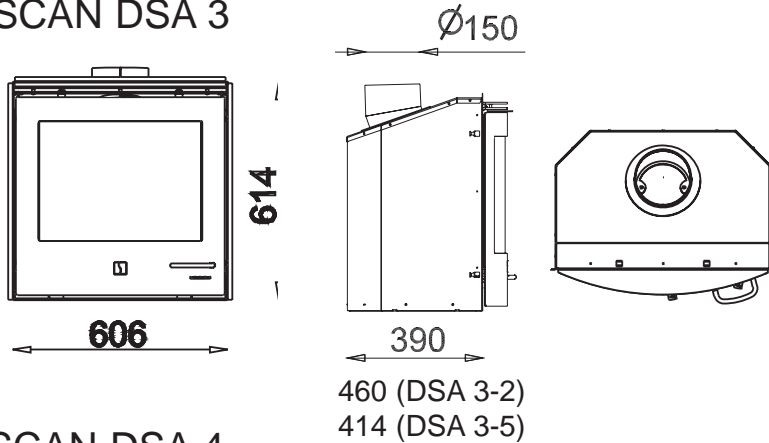
Technical info

Rated output: 6 kW
 Min./max.: 5 - 8 kW
 Weight SCAN DSA 3: 85 kg
 Weight SCAN DSA 4: 77 kg
 Connection piece, ext. diameter: 149 mm (flexible tube)
 Connection piece, int./ext. diameter: 155/159 mm (flue pipe)



Write the production number of your insert here so that you have it at hand in case you need to contact us.

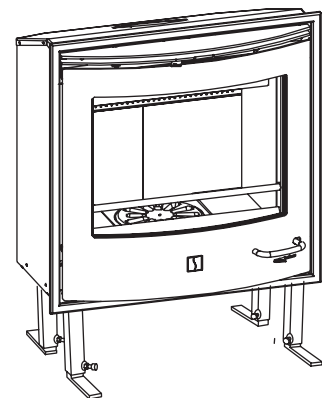
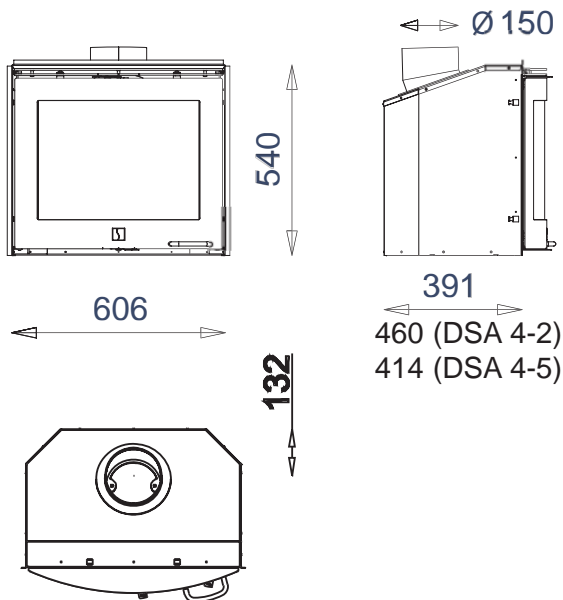
SCAN DSA 3



SCAN DSA 3 & 4 in an existing fireplace

If you plan to insert a SCAN DSA 3 or 4 into an existing open fireplace, it is important that you keep a distance of 3-5 mm around the masonry. This will prevent cracks in the bricks, as metal expands when heated.

SCAN DSA 4



Attention! You should mount gratings allowing the air to circulate. We recommend min. 350 cm² air input and min. 750 cm² air output. Please make sure that the distances to inflammable materials are in accordance with your local requirements.

Data for calculation of the chimney

Stove model	Connecting adaptor	With open doors			With closed doors			
		1 Density of flue gas flow g/s	2 Flue gas temperature °C	3 Minimum draft Pa	4 Density of flue gas flow g/s	5 Flue gas temperature °C	6 Minimum draft Pa	7 0,8 Minimum draft Pa
SCAN DSA	mm							
3 & 4	150	-	-	-	6	350	15	12

Column 2 and 5 show the flue gas temperature in the connecting adaptor
 Column 3 and 6 show the lowest/minimum draft in Pa by rated value
 Column 7 shows the lowest/minimum draft in Pa by 0.8 x rated value