

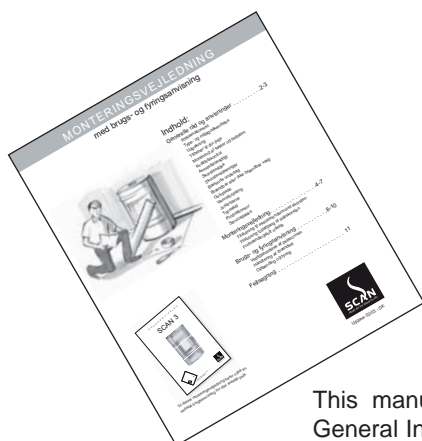
I N S T R U C T I O N S F O R  
I N S T A L L A T I O N A N D U S E

# SCAN

## DSA 6 & DSA 7



Approved according to EN 13229 2005



This manual is accompanied by a pamphlet with General Instructions for Installation.



Edition 1006 - GB

# Congratulations on your new SCAN insert!

You have chosen a product from one of Europe's leading manufacturers of wood-burning stoves. We are convinced that your insert will be to your full satisfaction and give you many hours of pleasure if you follow the advice and instructions of this manual.

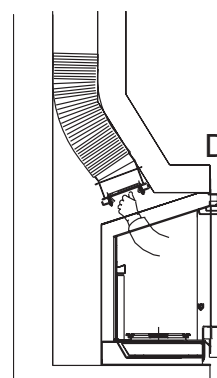
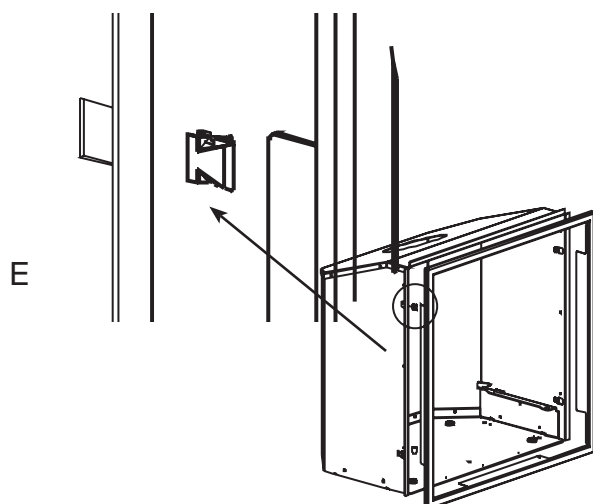
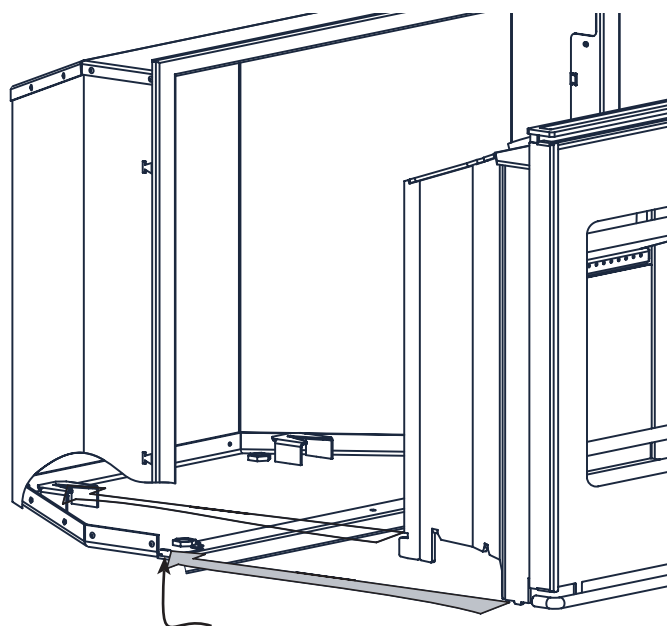
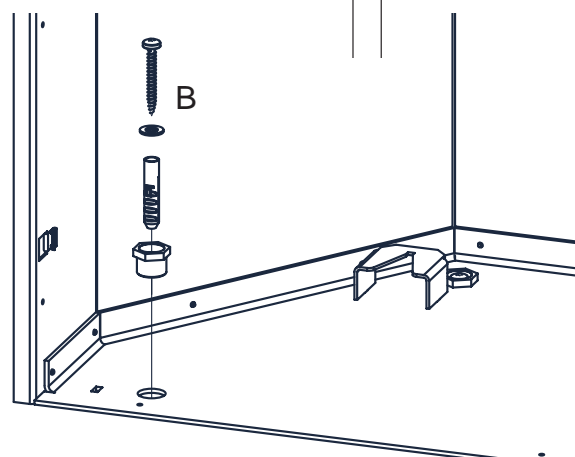
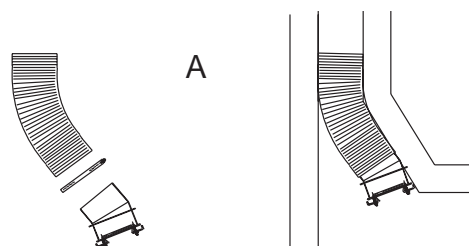
Please read this manual as well as the **General Instructions for Installation** before beginning the installation.

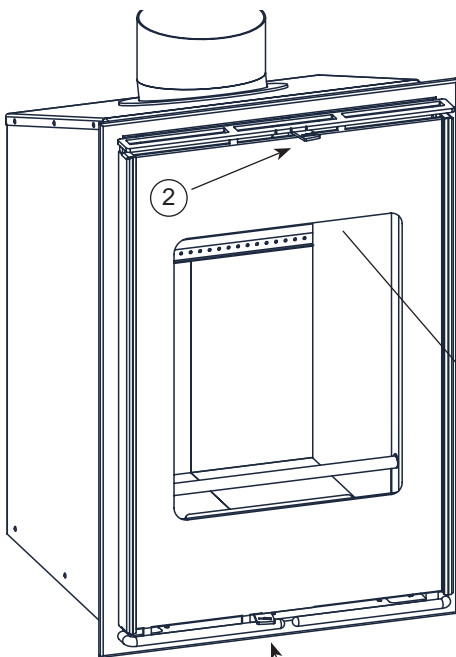
## Mounting of the insert in an open fireplace

Before beginning the mounting, it is important that you check the density of your chimney. The area of the chimney must be min. 175 cm<sup>2</sup>, which corresponds to a diameter of approx. 150 mm.

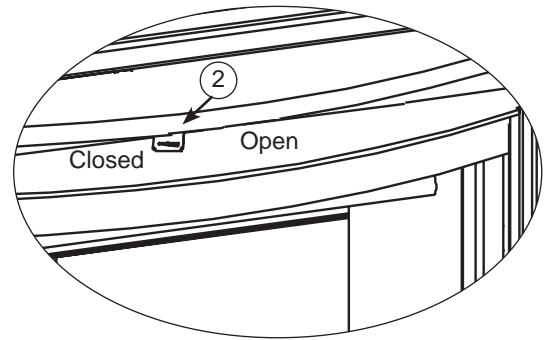
Follow the pictures point per point, when mounting your insert. If you have any questions or uncertainties, your authorised dealer will be able to assist you with the mounting.

- Remove the damper in the existing fireplace/chimney. Clean the fireplace thoroughly of any soot residues.
- Fasten the connection piece on a flexible tube in a suitable length (A) (if you use a smoke pipe instead of a flexible tube, a special connection piece is available).
- Fasten the flexible tube/smoke pipe in the chimney and seal around it.
- Place the loose convection mantle of the insert on the bottom of the fireplace (in the centre). The bottom must be level. Adjust the convection mantle with the four adjustment bolts and fasten it to the bottom of the fireplace (B).
- Mount the clips in the four holes of the convection mantle (if necessary, press them in place with a screw driver (E)).
- Press the trim in place.
- Push the insert into the mantle and adjust according to sketch C.
- Take out the ceramic smoke deflector plates (see next page).
- Pull down the connection piece and place it in the flue outlet of the insert. Fasten it with the fittings and remount the ceramic smoke deflectors (D).

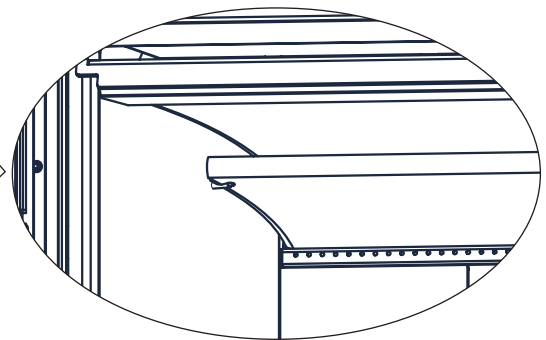




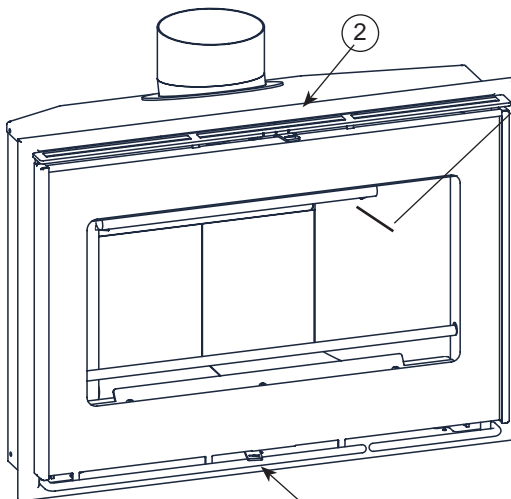
SCAN DSA 6



Combustion air



Ceramic smoke deflectors



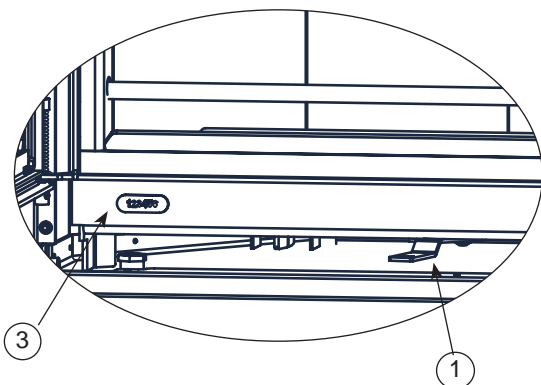
SCAN DSA 7

## Ceramic smoke deflectors

Lift up the lower ceramic smoke deflector, pull out the pins in the lateral combustion chamber plates, and remove the deflector. The upper deflector is removed in the same way.

## Clean combustion

The SCAN DSA insert uses the "CB technique" (Clean-Burn) to ensure an optimally clean combustion. The extra combustion air is preheated and led into the combustion chamber close to the ceramic smoke deflector.



### ① Regulation for primary air.

Push the button sideways. Left position is closed and right position is open. The primary air is used when lighting and refuelling the stove. It should always be closed during continuous firing.

### ② Regulation for combustion air.

Push the button sideways. Left position is closed and right position is open. The air is used for the combustion and regulates the output of the stove.

### ③ Productionnumber

You should read this manual as well as the **General Instructions for Installation** before beginning the installation.

# SCAN DSA 6 & 7

## Warranty conditions

All SCAN wood-burning stoves and inserts are made of first-class material and are subject to a strict quality control before they leave the factory. However, if an error should occur, we back all SCAN wood-burning stoves and inserts with an extensive, five-year limited warranty.

See also the **General Instructions for Installation** delivered with your insert for more details.

644800

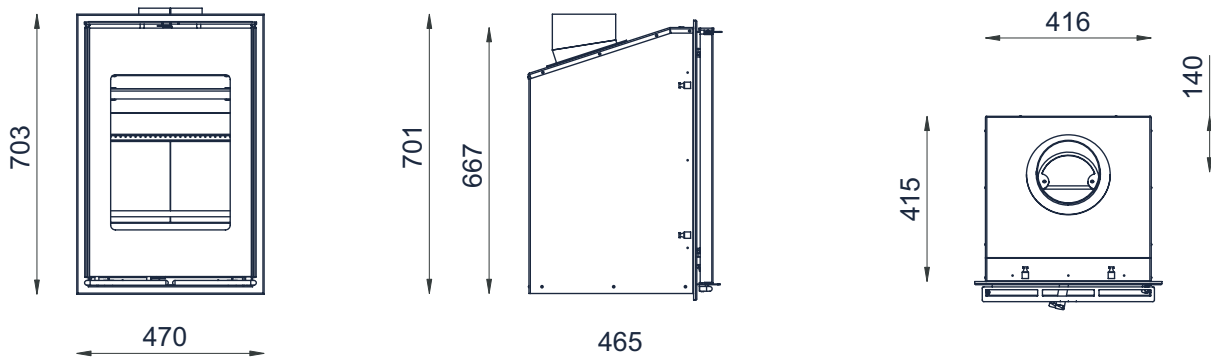
Production number

## Technical info and measurements

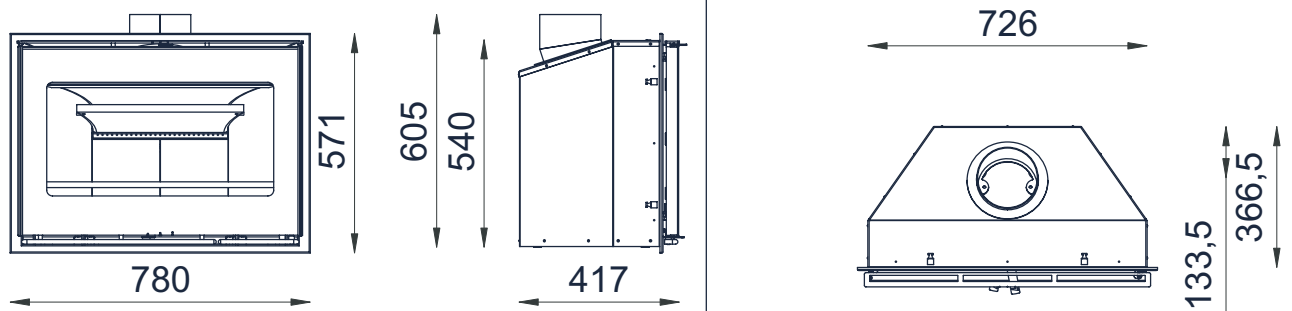
	SCAN DSA 6	SCAN DSA 7
Rated output:	6 kW	7 kW
Min./max:	2-7 kW	2-8 kW
Weight:	78 kg	85 kg
Connection piece, flexible tube, mm:	149 (ext.)	149 (ext.)
Connection piece, flue pipe	155/159 (int./ext.)	155/159 (int./ext.)
Stoking:	1.3 kg	1.7 kg

Write the production number of your insert here so that you have it at hand in case you need to contact us.

### SCAN DSA 6



### SCAN DSA 7



## SCAN DSA 6 & 7 in an existing fireplace

If you plan to insert a SCAN DSA 6 or 7 into an existing open fireplace, it is important that you keep a distance of 3-5 mm around the masonry. This will prevent cracks in the bricks, as metal expands when heated.

Data for calculation of the chimney and adjustment of the air according to EN 13229:

	Combustion air %	Primary air %	Chimney draught, Pa	Flue outlet flow, g/s	Temp. flue outlet, °C	Fuel	Efficiency %
SCAN DSA 6	55	55	12	5	227°C	1,67	83
SCAN DSA 7	50	50	12	7,5	289°C	2,2	78